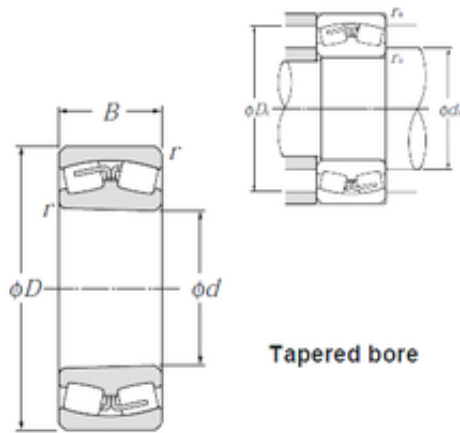




# High Quality NSK BEARING LTD

## 239/1250K NTN Spherical Roller Bearings



Bearing No. 239/1250K

Size	1250x1630x280 mm
Bore Diameter	1250 mm
Outer Diameter	1630 mm
Width	280 mm
d	1250 mm
D	1 630 mm
B	280 mm
C	280 mm
r min.	7,5 mm
da min.	1 286 mm
Da max.	1 594 mm
ra max.	6 mm
Weight	1 550 Kg
Basic dynamic load rating (C)	12 100 kN
Basic static load rating (C0)	33 500 kN
(Grease) Lubrication Speed	120 r/min
(Oil) Lubrication Speed	160 r/min
Calculation factor (e)	0,15
Calculation factor (Y0)	4,32
Calculation factor (Y1)	4,42

239/1250K Bearing 2D drawings and 3D CAD models