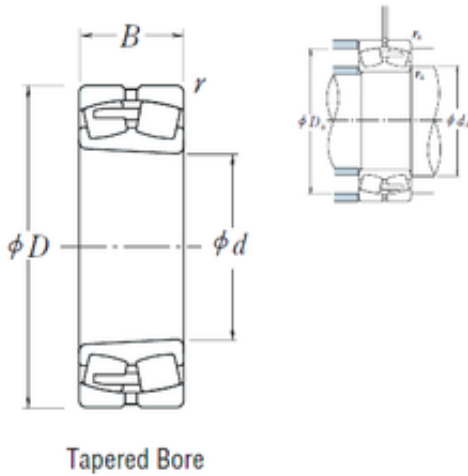




# High Quality NSK BEARING LTD

## 23076CAKE4 NSK Spherical Roller Bearing

Bearing No. 23076CAKE4



23076CAKE4 Bearing 2D drawings and 3D CAD models

Size	380x560x135 mm
Bore Diameter	380 mm
Outer Diameter	560 mm
Width	135 mm
d	380 mm
D	560 mm
B	135 mm
C	135 mm
r min.	5 mm
da min.	402 mm
Da min	506 mm
Da max.	538 mm
ra max.	4 mm
Weight	113 Kg
Basic dynamic load rating (C)	2500 kN
Basic static load rating (C0)	5100 kN
(Grease) Lubrication Speed	530 r/min
(Oil) Lubrication Speed	630 r/min
Calculation factor (e)	0,22
Calculation factor (Y0)	3
Calculation factor (Y2)	4,5